

 **Troll-master**  
Contributing to your success

# **Leahorse**®

## **Downrigger System**



**OWNER  
MANUAL**

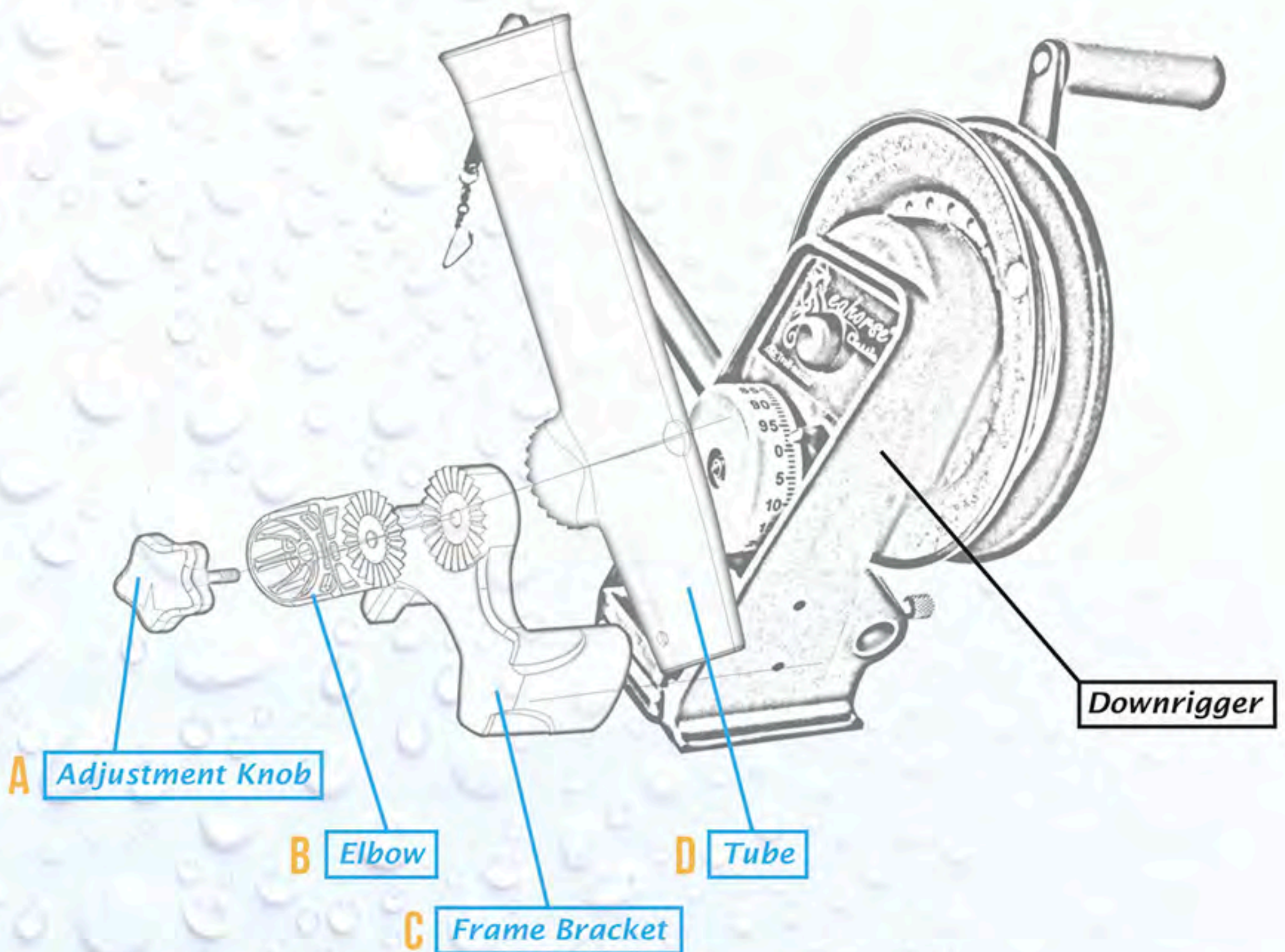


# **Adjustable Rod Holder**

# THANK YOU,

*We hope you enjoy this product!*

We at Troll-master thank you for purchasing our product! Seahorse® Downrigger Rod Holders easily attach to all manual downrigger models. Versatile design provides dual axis adjustment capability allowing anglers to keep any rod in a handy yet secure position while downrigger trolling. The rod holder attachment is made out of corrosion resistant materials that ensure durability, long life and trouble free operation. It is optimized to work well with all light, medium and heavy rods, conventional or spinning outfits.



*For more information, visit our website*  
**[www.Troll-master.com](http://www.Troll-master.com)**

# PARTS INCLUDE:



A

*Rod Holder  
Adjustment Knob*

*DSP-S72123*



B

*Rod Holder  
Elbow*

*DSP-S72122*



C

*Rod Holder  
Frame Bracket*

*DSP-S72121*



D

*Rod Holder  
Tube*

*DSP-S72120*

## ASSEMBLY

- 1** Slide the [Mounting Bracket \(C on the diagram\)](#) over the frame of the downrigger and align the mounting holes. Use the stainless machine screws (provided) to securely attach the Bracket to the frame. Please do not over torque the screws – this can cause damage to the frame or the bracket.
- 2** Securely attach the [Rod Holder Elbow \(B on the diagram\)](#) to the Mounting Bracket with the [Rod Holder Adjustment Knob \(A on the diagram\)](#). Please do not over torque the Adjustment knob – this can cause damage to the Mounting Bracket.
- 3** Use the small hole in the [Rod holder tube \(D on the diagram\)](#) to access the adjustment screw to set the desired angle for the rod holder horizontally. Use the Adjustment Knob to set the desired angle vertically.

 **Troll-master**  
Contributing to your success

 **Peahorse**<sup>®</sup>  
Downrigger System

*Improving your  
fishing experience!*



## MISSION

Troll-master Inc. is committed to the development and manufacturing of the high quality parts and accessories for the fishing industry. Our goal is to deliver a good product at a competitive price while maintaining the highest quality standards.

## TEAM

Troll-master's team consists of professional engineers, tournament winning captains, fishing enthusiasts and manufacturing experts. Our R&D works in conjunction with real customers across the country utilizing hands on experience and cutting edge technology to design our products.

## PRODUCTS

All our products come with a 10 year manufacturer's warranty. There is no fine print, no exclusions and no limitations. We will always stand behind our products and will gladly provide Customer Service and Technical Support to our customers. We are confident in the quality of the products, functional design and the materials used to produce them.

## WARRANTY

Troll-master Inc. warrants to the original purchaser any defect in material or workmanship for the period of 10 years since the date of the original retail purchase. Troll-master Inc. will either repair or replace the product free of charge.

