

 **Troll-master**
Contributing to your success

Peakhorse®

Downrigger System



**OWNER
MANUAL**



Adjustable Swivel Base

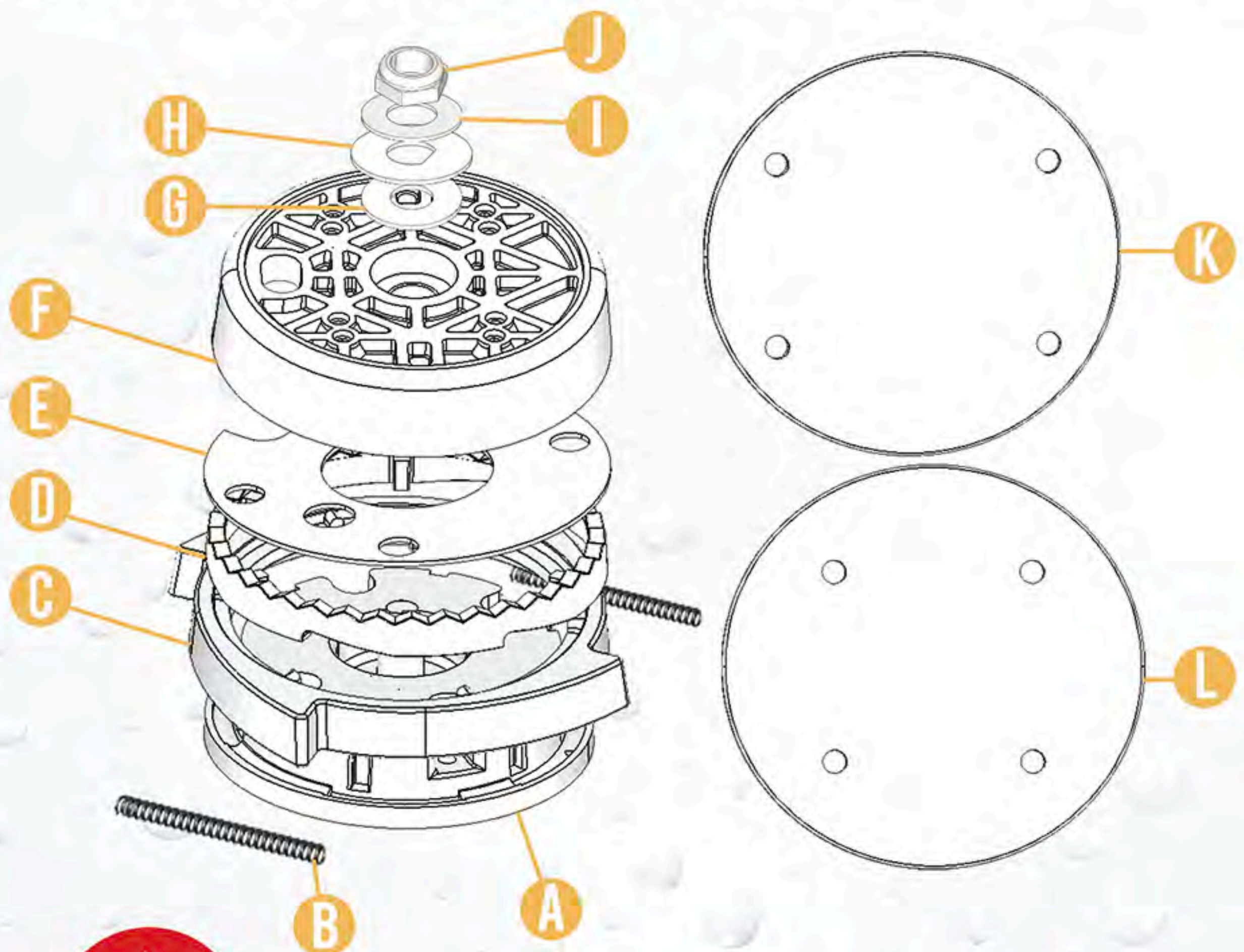
THANK YOU,

We hope you enjoy this product!

The adjustable downrigger base is designed to accept Penn® or Cannon® downrigger mounting plates. The base rotates a **complete 360°** and locks in **36 different positions** allowing virtually any angle for your downrigger. This feature provides effortless re-positioning of the downrigger boom suitable for rigging, docking or towing.

The fact that this swivel base is designed to work with leading downrigger manufacturers provides fishermen the liberty to switch from manual to electric or from one brand to another without any additional investments or re-rigging efforts.

NOTE: The swivel base will only rotate left when not secured to the mounting surface. Please do not be alarmed - it will freely rotate any direction once properly installed.



For more information, visit our website
www.Troll-master.com

PARTS INCLUDE:

A DS-S31025 Swivel Base Bottom	B DSS-S31026 Return Spring	C DSP-S31027 Lock Release Ring	D DSP-S31028 Lock Ring	E DST-S31029 Teflon Base Washer	F DSI-S31030 Swivel Base Top
G DST-S31031 Teflon Washer Top	H DSS-S31032 Base Top Washer Fixed	I DSS-S31033 Base Top Washer Arched	J DSS-S31034 Locking Nut	K DSS-S31035 Plate Cover Square Pattern <small>(for Cannon® Bases installation)</small>	L DSS-S31036 Plate Cover Rectangular Pattern <small>(for Penn® Bases installation)</small>

INSTALLATION

DONOT DISASSEMBLE

Use oval hole to access mounting screws

DONOT BE ALARMED

It will rotate both directions once properly installed

Swivel Base can be installed by attaching it either directly to the boat or to the gimbal mount.

Gimbal mounts will allow for instant mounting of the downrigger using the boat's existing flush mounted rod holders. Troll-Master offers 2 different sizes of gimbal mounts (product# PR-1030 & PR-1060) to accommodate the most common sizes of standard rod holders.

For bolt-through installation - Carefully select the location of the swivel base on your boat. Make sure that you have enough swing clearance for proper operation. Use the **Swivel Base Cover** (part number DSS-S31036) as a template to mark the holes to be drilled. Make sure that the hole pattern is positioned so that you will have enough clearance and reach to install the mounting hardware (provided).

The Swivel base comes pre-assembled. Note the **oval shaped hole** on the swivel base top. The **oval hole** provides access to each of the four mounting screws.

- 1 Unlock the base by turning the finned lock release ring **counter-clockwise**
- 2 Turn the swivel top until the **oval mounting hole** is above the mounting screw.
- 3 Secure the screw without over tightening.

Repeat steps 1-3 for all remaining screws.

After the base is installed select appropriate cover plate and the mounting plate for your downrigger.

Note: The mounting plate bolts should not exceed ½ inch in depth into the swivel base top.

- Use Cover plate with square 2 ½ x 2 ½ inch mounting pattern for **Cannon® downrigger installation** (Part number DSS-S31035)
- Use Cover plate with rectangular 2 ½ x 3 ½ inch mounting pattern for **Penn® downrigger installation** (Part number DSS-S31036)

 **Troll-master**
Contributing to your success

 **Peahorse®**
Downrigger System

Improving your fishing experience!



MISSION

Troll-master Inc. is committed to the development and manufacturing of the high quality parts and accessories for the fishing industry. Our goal is to deliver a good product at a competitive price while maintaining the highest quality standards.

TEAM

Troll-master's team consists of professional engineers, tournament winning captains, fishing enthusiasts and manufacturing experts. Our R&D works in conjunction with real customers across the country utilizing hands on experience and cutting edge technology to design our products

PRODUCTS

All our products come with a 10 year manufacturer's warranty. There is no fine print, no exclusions and no limitations. We will always stand behind our products and will gladly provide Customer Service and Technical Support to our customers. We are confident in the quality of the products, functional design and the materials used to produce them.

WARRANTY

Troll-master Inc. warrants to the original purchaser any defect in material or workmanship for the period of 10 years since the date of the original retail purchase. Troll-master Inc. will either repair or replace the product free of charge.

